




THE WORLD LEADER IN
FUME EXTRACTION TECHNOLOGY

AD Base 3

Advantage

The Advantage Base 3 has been designed specifically for the Universal Versa laser engraver. The dimensions of the unit allow the Versa laser to fit perfectly onto the extractor, effectively doubling it up as a work station. The unit is also offered with an onboard air compressor to provide the laser with its air assist requirements and comes complete with extraction hose kit and compressor link up on compressor models.

STANDARD FEATURES:

- Filter condition indicator
- Low noise levels
-  DeepPleat DUO pre filter

OPTIONAL FEATURES:

- VOC gas sensors (Volatile Organic Compound)
- Onboard compressor
- Remote stop / start interface
- Filter change / System fail signal

The Laser Companion Advantage extraction system for the laser engraving industries.



Featuring DeepPleat DUO filter technology



Featuring Advanced Carbon Filter technology



PART NUMBERS						
Model	Voltage	Part No.	24V Stop / Start	Filter change / System failure signal	VOC Monitoring	Compressor
AD Base 3	230V	L0342A	A2001	A2002	A2003	A2007
Powder Coated	115V	L0341A				

REPLACEMENT FILTERS		
Model	DeepPleat DUO Pre Filter	Combined Filter
AD Base 3	A1030045	A1030050

TECHNICAL DATA		
	230V	115V
Dimensions (HxWxD)	770 x 680 x 470mm	30.3 x 26.8 x 18.5"
Cabinet Construction	Powder coated mild steel	Powder coated mild steel
Airflow / Pressure	180m ³ /hr / 30mbar	105cfm / 30mbar
Electrical Data	230v 1ph 50/60Hz Full load current: 0.9 amps / 0.35kw	115v 60/50Hz Full load current: 1.2 amps / 0.35kw
Noise Level	< 56dBA*	< 56dBA*
Weight	65kg	143lbs

* At typical operating speed.

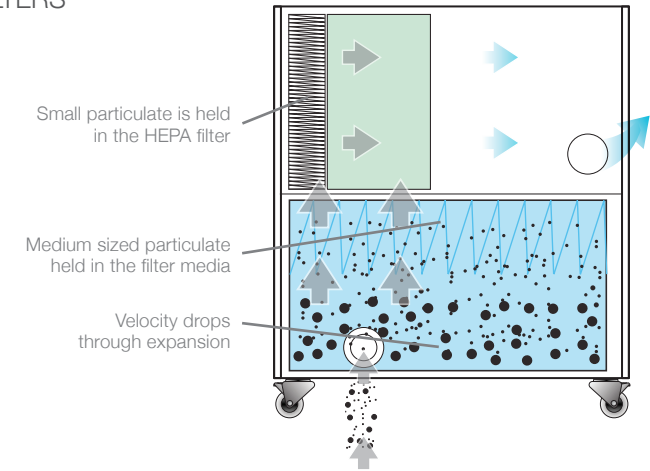
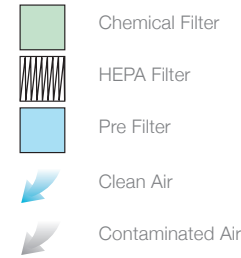
DEEPPLEAT DUO PRE FILTER SPECIFICATIONS	
Surface Media Area	12m ²
Filter Media	Glass Fibre
Filter Media Construction	Maxi Pleat Construction with Webbing Spacers
Filter Housing	Mild Steel
Filter Efficiency	F8 (95% @ 0.9 microns)

HOSE KIT	
75-75mm kit	
Part No. A1020017	
1.5m 75mm Flexible Hose	
2 x Connection Cuffs	
75mm - 75mm Kit	



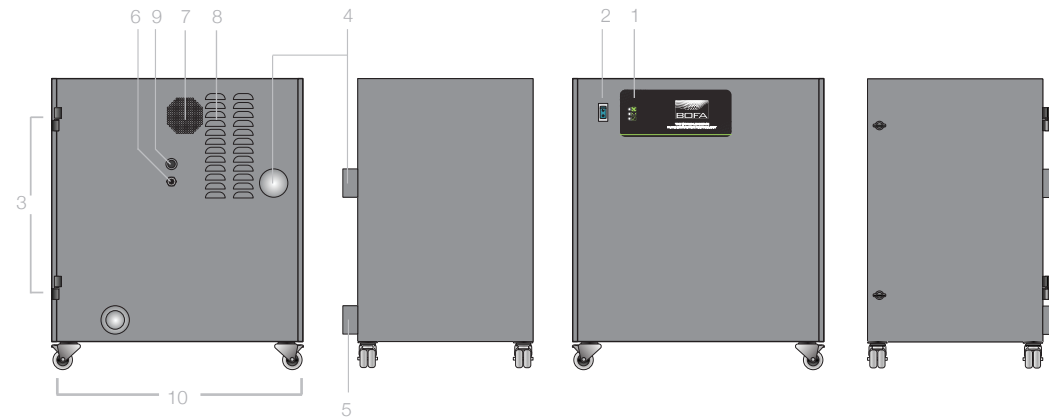
COMBINED FILTER SPECIFICATIONS	
HEPA Filter Media	Glass Fibre
HEPA Media Construction	Maxi Pleat
Surface Media Area	2.75m ²
Treated Activated Carbon	9kgs
Filter Housing	Mild Steel
Filter Efficiency	99.997% @ 0.3 microns

AIRFLOW THROUGH FILTERS



TECHNICAL SPECIFICATION

- Unit / Filter Condition Display
- On / Off Switch
- Door Hinge
- Extracted Air Outlet
- Hose Inlet Connection - 75mm
- Power Cable
- Motor Cooling Inlet
- Motor Cooling Outlet
- Compressed Air Outlet
- Castors



Other hose kits and filters are available. All of the above units are fitted with our standard filter combinations. For specific applications please call us for details. Replacement filters should always be ordered using the part number on the filters inside your extractor to ensure the correct filter is ordered. Datasheet correct at time of print.

Date:8/3/13 V:2



BOFA INTERNATIONAL LTD

Tel: +44 (0) 1202 699 444 Fax: +44 (0) 1202 699 446 Email: sales@bofa.co.uk Web: www.bofa.co.uk

BOFA AMERICAS, INC

Tel: (618) 205 5007 Fax: (866) 707 2632 Email: sales@bofaamericas.com Web: www.bofaamericas.com

