

Minilase™ XL

laser marking system



TYKMA™
ELECTROX

Industrial Laser Systems



Discover the Flexibility

Minilase™ XL offers a larger workspace and an open interior for maximum flexibility in a desktop solution. In addition, Minilase™ XL is equipped with our ergonomic features such as the three-side pneumatic vertical door, power focal height adjustment and auto-mode for high volume applications. A service override key and safety warning light allow for open door Class 4 marking capability for larger components.

MOPA Marking Capabilities

Minilase™ XL marks all metals, most plastics, carbide, anodized aluminum, painted/coated materials and more. Powerful MOPA fiber laser technology enhances the marking capabilities over basic q-switched fiber laser systems. Selectable pulse durations allow for the processing of a wider variety of materials and substrates.

Our systems save you operating costs in the long run over obsolete and larger scale laser marking systems. Minilase™ XL is air cooled, maintenance-free and includes a comprehensive three year warranty.



Easy Setup and Operation

Minilase™ XL is equipped with power focal height adjustment controlled through the front mounted operator control pendant. With our easy focus finder system, simply bring the two red aiming beams together on your part and you're in focus and ready to mark. Upgrade to programmable focal height adjustment for automatic focal change between parts.





Ergonomic Design

Minilase XL is ideal for high volume applications. A three-side vertical pneumatic door with patented built-in safety provides maximum access to the part loading area. Auto mode allows for the automated sequence of door close, marking and door open, maximizing operator ergonomics.

Large Parts? No Problem!

Minilase XL features an open interior and the most expansive part loading area of our Minilase line. Easily install custom fixtures or utilize a rotary device for 360° radial part marking. Have large or long parts to process? Class 4 capability for open door marking is possible with our service override key, safety warning light and optional laser safety glasses.

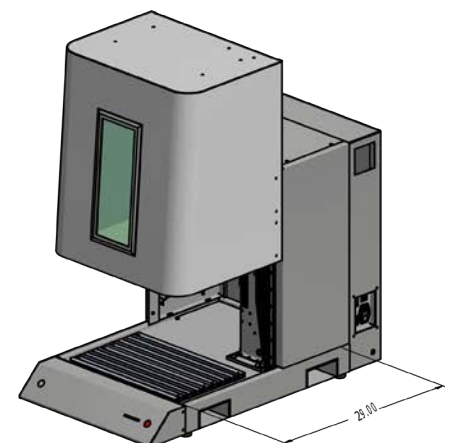
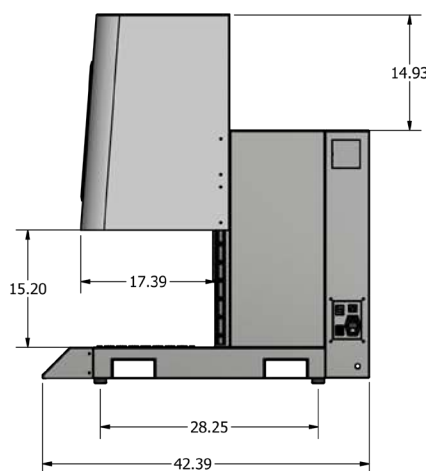
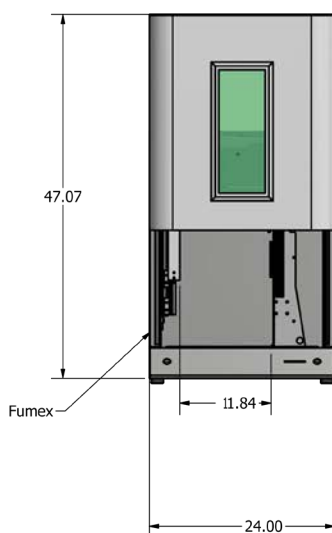


Technical Specifications

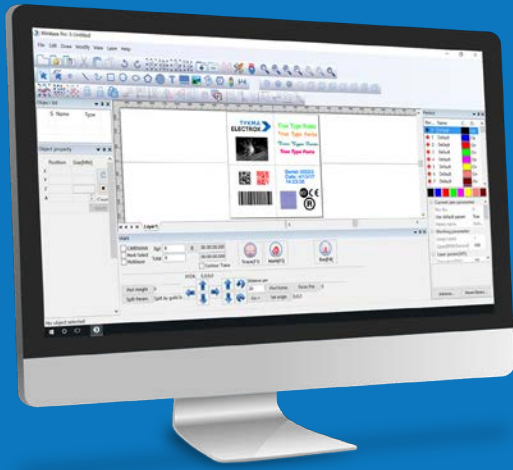
| | |
|---|--|
| System Dimensions / Weight (approx.) | 24"W x 42.5"L x 33.5"H / 200lbs (mm) 610W x 1,079L x 851H / 91kg |
| Standard Marking Field | 160S (100mm x 100mm) (3.93" x 3.93") |
| Standard Max Part Size | 20"W x 12.5"L x 14.3"H (mm) 508W x 317L x 365H Using rear cabinet space 11"W x 27"L x 14.3"H (mm) 279W x 685L x 365H |
| Available Marking Lens Upgrades and Marking Fields | 254S (5.5" x 5.5", 140mm x 140mm) 254L (6.5" x 6.5", 165mm x 165mm) 350L (7.87" x 7.87", 200mm x 200mm) |
| Maximum Part Height with Lens Upgrade | (254S) 11.2"/285mm (254L) 8.3"/212mm (350L) 4"/101mm |
| Laser Type | Ytterbium Fiber |
| Wavelength | 1062nm +/- 3nm |
| Wattage | 20W / 50W / 70W |
| Frequency Range | 1 - 500kHz |
| Pulse Duration | Selectable, 260ns or 40ns |
| Operative Ambient Temperature Range | 7° - 40° C / 45° - 104° F |
| Cooling | Air Cooled |
| Fiber Cable Length | N/A |
| Input Power | Power Sensing 110-240VAC 50/60Hz |
| Aiming Beam | (2) Class IIIA/3R Red Diode (635nm) |
| PC | Laptop/Desktop PC Required |
| PC Connection | USB |
| Air Required | 60 - 80 psi |
| Available Ports | Diagnostic |
| Warranty | 36 Month Comprehensive, Unlimited Hours |
| Documentation (Provided in Digital Format via USB Drive) | System & Software Manuals Laser Settings Guide / Safety Manual Video Tutorials |

Laser Enable Keys (2) / USB Cable
Power Cable / USB Drive
Class 4 Service Override Key

Included Accessories



Minilase™ Pro SE Software



With our user friendly software, operators and engineers can quickly create marking files with text, barcodes, 2D codes, and a variety of graphic formats such as DXF, AI, PLT, BMP and JPEG. CAD tools allow users to draw their own graphics and manipulate complex vector files. Automated date coding and serialization capabilities are also included. A pre-configured

materials library takes the guess work out of setting up laser marking parameters. Control external axes, focal height adjustment and rotary devices for 360° marking.

Icon Interface, our off-the-shelf operator mode solution enables the following: advanced network data retrieval, SQL server connectivity, PLC connectivity, detailed photographic part fixture instructions and displays, operator restrictions and password protections, data entry via barcode scan, and more. When our standard package isn't enough, let TYKMA™ Electro create a custom software interface, completely designed to your specifications!

Accessories

- Multi-waveform laser upgrades
- Rotary devices for 360° radial part marking
- Programmable focal height upgrade
- Fume and dust extraction
- Focal lenses
- Component fixtures
- Laser safety glasses
- And more...





With more than 55 years experience, TYKMA™ ElectroX celebrates a rich history in the development of industrial laser systems with a focus in laser marking, etching, and engraving systems.

With facilities in the U.S.A. and a global network of distributors, we provide unrivaled industrial laser solutions to customers around the world.

TYKMA™ ElectroX pledges to provide every customer with laser systems of the highest quality and reliability. We're dedicated to providing long-term customer problem resolution and training to ensure your system operates effectively for years to come.

- 24/7, 365 days a year emergency support phone line
- Online remote programming and troubleshooting assistance via Citrix™ secured software
- Application and programming assistance
- Preventive maintenance and critical response agreements
- Loaner and rental laser systems

“The TYKMA Minilase 20W fiber laser has been a great asset for us. We were able to quickly migrate our production from older laser technology to the Minilase. It produces a higher quality mark in less time. We run the machine two shifts per day and it is a key resource in our production process. I wish all of our equipment acquisitions were so productive in such a short time.”

Tom Koenig, Manufacturing Manager, Spyderco

Global Presence

With facilities and distributors in more than 25 countries, TYKMA™ ElectroX is dedicated to providing exceptional service and support to our clients around the world. To learn more about our products and services, visit us online at www.permanentmarking.com.



Follow us on your favorite social media sites!

TYKMA™  **ELECTROX**

Industrial Laser Systems

North America, Headquarters

370 Gateway Drive

Chillicothe, OH 45601 • U.S.A.

Phone +1 (740) 779-9918

sales@permanentmarking.com

www.permanentmarking.com